

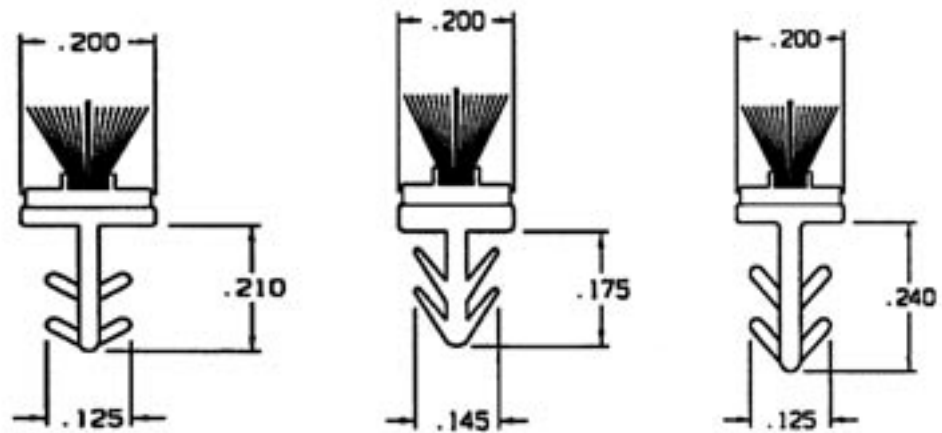


Kerf Mounted Pile

**Flexible, versatile pile
on a kerf-mount base**

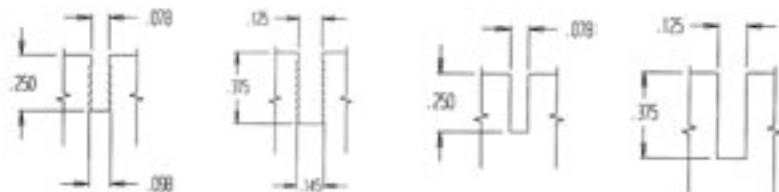
- Pile heights from .130" to .750"
- Pile height and backing width are always uniform because of ULTRAFAB's unique non-woven manufacturing systems
- Co-extruded options for easy insertion
- Available in all standard pile colors
- Custom profiles available
- ULTRAFAB's unique ultrasonic welding assembles the fin, fibers and backing into an integrated, unified assembly that won't break apart during fabrication or while in use
- Available in all ULTRAFAB pile types: Ultra Pile®, Ultra Fin®, Tri-Fin®, Soft Touch Fin® and Ultra-Reach Fin™
- Cut to length or reeled

Examples of Kerf Mounted Pile Weatherstripping



Typical retention slots for: vinyl/aluminum

wood



ULTRAFAB[®]

Tel: 800-535-1050 or 585-924-2186
 email: sales@ultrafab.com
 Fax: 585-924-7680
 1050 Hook Road, Farmington, NY 14425
 website: www.ultrafab.com