



# UltraGlide® Seals

**Low surface friction TPE  
specially formulated for  
low friction applications**

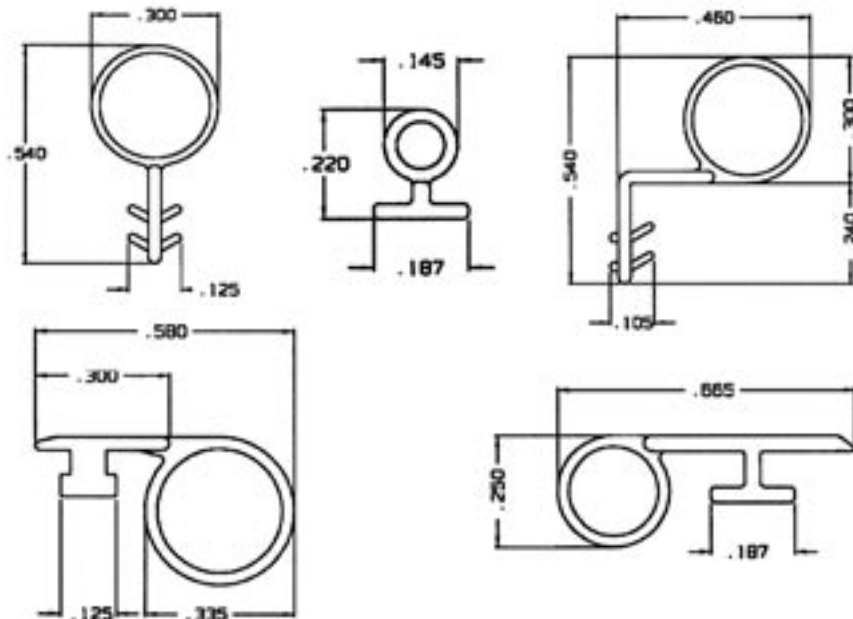
- LOW COST ALTERNATIVE TO FOAM
- Extremely low surface friction
- Easy to clean, dust/dirt wipe off easily
- AAMA 702-92 rating
- Superior compression set resistance and weatherability
- Excellent UV stability
- Unmatched wear resistance
- There is no extruded coating to wear off; there are no beads of polyolefin to reduce the effective sealing area
- Specially formulated TPE is throughout the bulb wall for excellent operating performance and long life

NOTE: Our UltraGlide® seal formulation can be used on all our standard TPE/PP seals

**ULTRAFAB**<sup>2</sup>

Tel: 800-535-1050 or 585-924-2186  
 email: sales@ultrafab.com  
 Fax: 585-924-7680  
 1050 Hook Road, Farmington, NY 14425  
 website: www.ultrafab.com

## Examples of UltraGlide® Extruded Seals SAVE UP TO 30% COMPARED TO FOAM



GET COMPLETE DETAILS: Ask for FREE samples and a FREE design kit.